

High Performance Synthetic Roofing Products



*Printing reproduction of colors shown in this brochure may vary from actual product.
CeDUR product samples are available by request at www.cedur.com.*

© CeDUR. All Rights Reserved.
3590 Himalaya Rd • Aurora, CO 80011



(720) 974-9200
www.cedur.com

Design-BUILDER: Cambridge Home Company
Photographer: Drone Your Homes
Roof Color: CeDUR Shiloh

Our

Products



Golden Cedar

Cool Roof Rated
Title 24 Compliant



Shiloh



Live Oak



Walden

*Printing reproduction of colors shown in this brochure may vary from actual product.
CeDUR product samples are available by request at: www.cedur.com.*



CeDUR Walden



CeDUR Walden

Product Sizing and Coverage

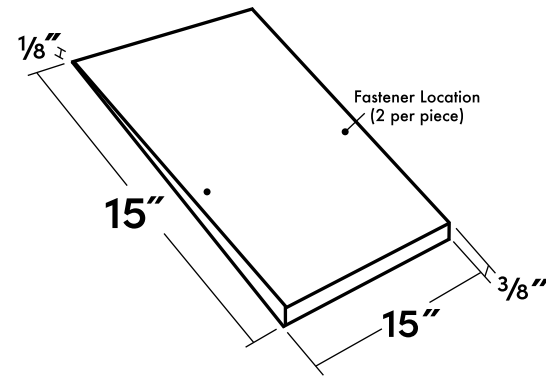
AVAILABLE SIZES & INSTALLED WEIGHT

| | |
|---------------------------------|---|
| SHAKE LENGTH | 23 1/2" inches |
| SHAKE WIDTH | 5 1/4", 7 1/4" and 12 1/4" inches |
| SHAKE THICKNESS | 3/4" tapered to 1/8" |
| INSTALLED WEIGHT PER 100 SQ FT. | 170 pounds |
| PIECES PER BUNDLE | 7 pieces each of 5 1/4", 7 1/4" & 12 1/4" |
| BUNDLES PER PALLET | 36 |

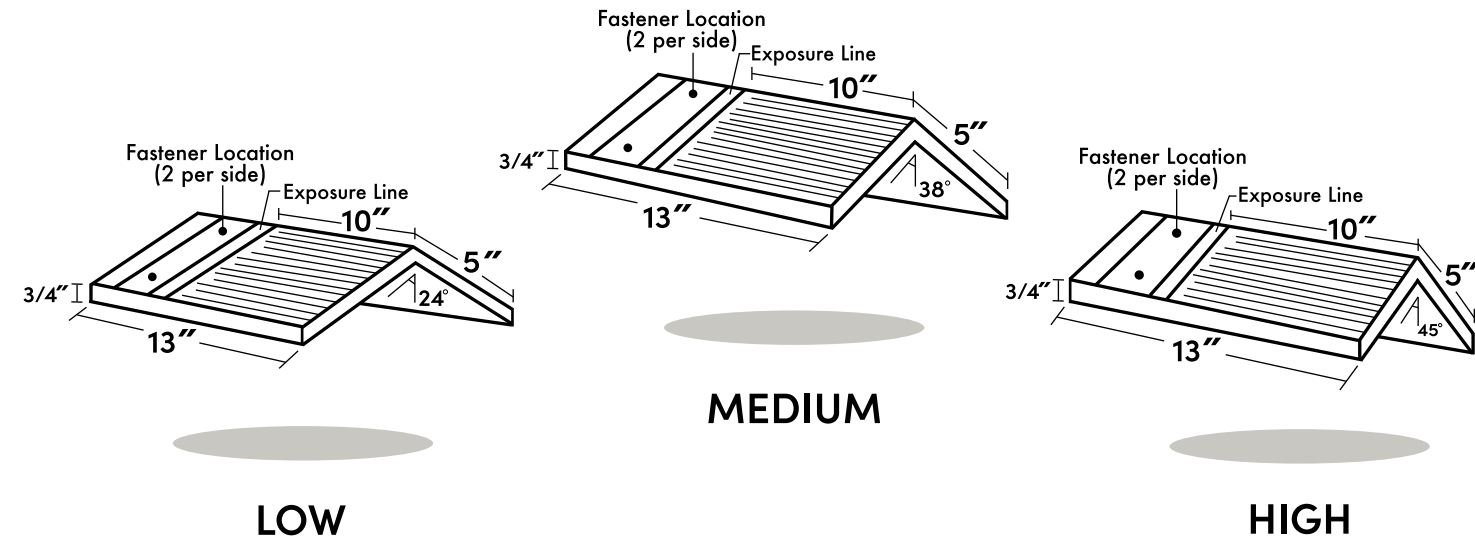
COVERAGE (based on 3/8" standard keyway)

| | |
|------------------------|-------|
| 10" Standard Exposure | |
| SQ/Bundle | 0.125 |
| Pieces/SQ | 168 |
| SQ/8-Bundles | 1 |
| SQ/Pallet of 36 Bundle | 4.5 |

CeDUR Starter 1 Size

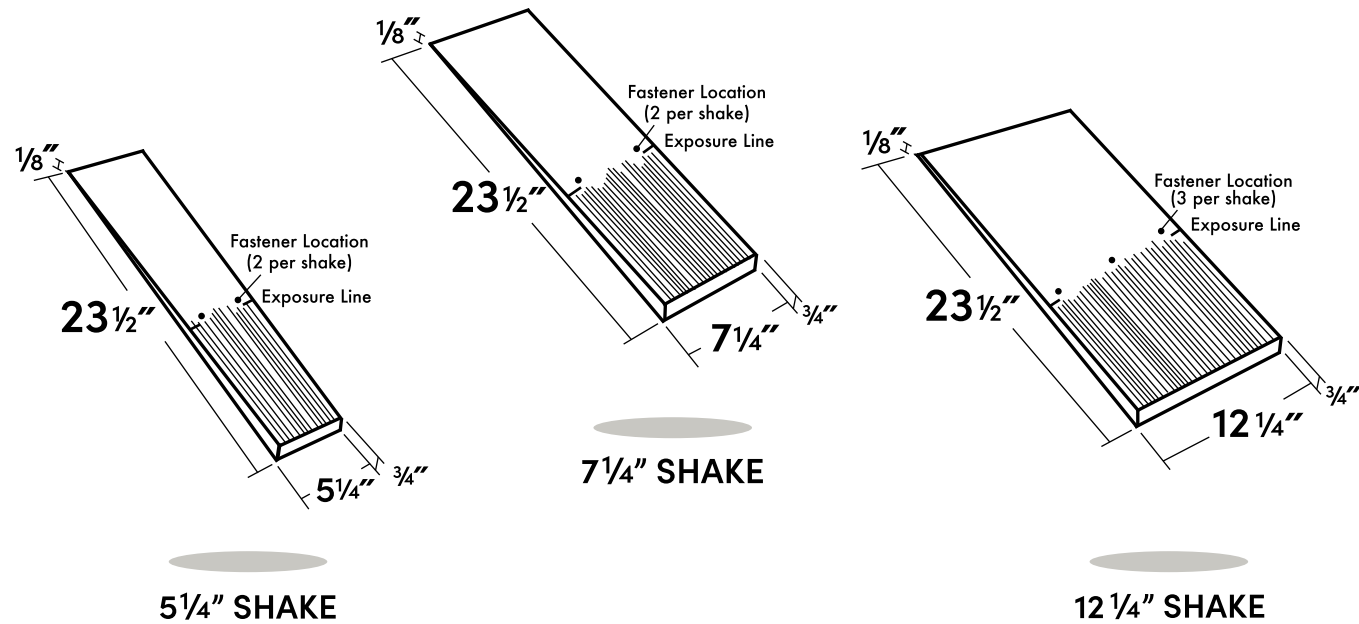


CeDUR Hip & Ridge 3 Sizes - all 10 inch coverage 12 pieces per bundle - covers 10 feet per bundle



4:12 - 7:12 LOW HIP : LOW RIDGE
 ABOVE 8:12 - 11:12 LOW HIP : MEDIUM RIDGE
 ABOVE 12:12 - 14:12 MEDIUM HIP : HIGH RIDGE
 ABOVE 14:12 - 21:12 RIDGE TO BE FIELD ASSEMBLED

CeDUR Field Shake 3 Widths 50+ Unique Molds



CeDUR Walden



Roofing Contractor: Lifetime Roofing & Solar (CO)
 Roof Color: CeDUR Live Oak



The Most Natural Wood Shake Look

CeDUR Synthetic Roofing products are manufactured in 50+ unique molds to create the most beautiful and authentic wood shake appearance. A CeDUR roof combines the desirable cedar shake look with the latest in design and technology. CeDUR products give any property an authentic wood shake look, and compliments most architectural styles and color schemes. Natural movement is designed into our product to give your roof the most natural cedar shake appearance.

Fire Resistant Synthetic Cedar Shakes

CeDUR shakes are stand alone Class A Fire Rated (ASTM E108, UL 790). No special fire resistant underlayment is required during installation to achieve the Class A Fire Rating. This is the highest industry rating obtainable for fire resistance. In the event of a fire, CeDUR's proprietary fire resistant technology will extinguish flame spread and not allow a flame to propagate on the surface of the product.

Insurance Savings with CeDUR

Due to CeDUR's performance features, many insurance companies offer reduced rates when switching to Class A Fire Rated and Class 4 Impact Rated roofing products, especially in fire prone and hail prone areas. For homeowners having issues insuring their wood shake roofs, CeDUR is the ideal alternative, particularly for those living in mountain communities or high risk fire zones that are seeking long-term insurance savings.

Light Weight and Easy to Install

At just 170 pounds per roofing square, CeDUR is one of the lightest roofing products available. CeDUR installs direct to the roof deck and no special tools or accessories are required during installation. Our synthetic shakes can be scored and cut with a utility knife or skill saw to fit into tight and unique spaces on a roof. CeDUR shakes are solid and colored throughout and can be installed in straight courses or staggered courses.





Performs in any region.

CeDUR Synthetic Roofing Products pass the most rigorous testing standards with regards to fire, wind and impact resistance. CeDUR products are tested and listed by Underwriters Laboratories (UL) and certified by Quality Assurance Institute (QAI). Architects, homeowners, contractors, distributors, HOA's, custom home builders, and property managers trust CeDUR.

Performs in any climate.

LIGHT WEIGHT
170 POUNDS PER SQUARE

STAND ALONE
CLASS A FIRE RATING

50
YEAR
LIFETIME LIMITED
WARRANTY

CLASS 4 IMPACT RATING
(HIGHEST RATING AVAILABLE)

115 MPH WIND SPEED
WARRANTIED TO 90 MPH

CeDUR Synthetic Shakes

Fire Safety is our Top Priority

In the event of a fire, roofs are the most vulnerable part of a home because the roof presents a large area where burning debris may land. Sparks and ignited debris can be lifted and carried by convection currents up to a half-mile from a fire. While traditional cedar wood shakes have been a favored look for homeowners and mountain communities, natural wood shakes ignite easily and do not meet local building codes or modern safety standards.

Natural cedar wood shakes ignite at 375 degrees Fahrenheit. During our Class A Burning Brand fire test, CeDUR reached temperatures in excess of 1,400 degrees and did not ignite. Due to CeDUR's performance features, many insurance companies now offer reduced rates when switching to Class A Fire Rated and/or Class 4 Impact Rated products.

CeDUR Synthetic Shakes meet HOA and subdivision standards for the authentic appearance of a cedar wood shake roof. CeDUR Shakes support the fiduciary responsibility of Homeowner Associations, Property Managers, and Design Review Boards that are looking for a fire safe roofing material that looks like real wood and maintains the intended architectural integrity of a property and neighborhood.

Perfect for Historic Preservation Projects

CeDUR Synthetic Roofing Products have been a reliable roofing material for religious facilities, government projects, and educational buildings since 1998. Traditional roofing materials found on aged properties no longer meet modern safety or building codes and can be a liability during severe weather because they do not adequately protect the building from nature's harsh elements.

A CeDUR roof makes it possible to match the desirable wood appearance and original intended look of a historic property while meeting modern day performance requirements. CeDUR is light weight at just 170 pounds per square and allows for direct replacement of existing roof systems without the structural enhancements necessary for heavier roofing products. CeDUR is trusted by historians, preservationists and historical preservation societies across the United States.

